



PARA LIGHT ELECTRONICS CO., LTD.

4F, No.1, Lane 93, Chien Yi Road, Chung Ho City, Taipei, Taiwan

Tel: 886-2-2225-3733

Fax: 886-2-2225-4800

E-mail: para@para.com.tw

<http://www.para.com.tw>

DATA SHEET

PART NO.: L-T670KFCT-U1

REV: A / 0

CUSTOMER'S APPROVAL : _____

DCC : _____

DRAWING NO. : DS-7A-11-0006

DATE : 2011-3-16

PAGE

1 of 15



SURFACE MOUNT DEVICE LED

Part No. : L-T670KFCT-U1

REV: A / 0

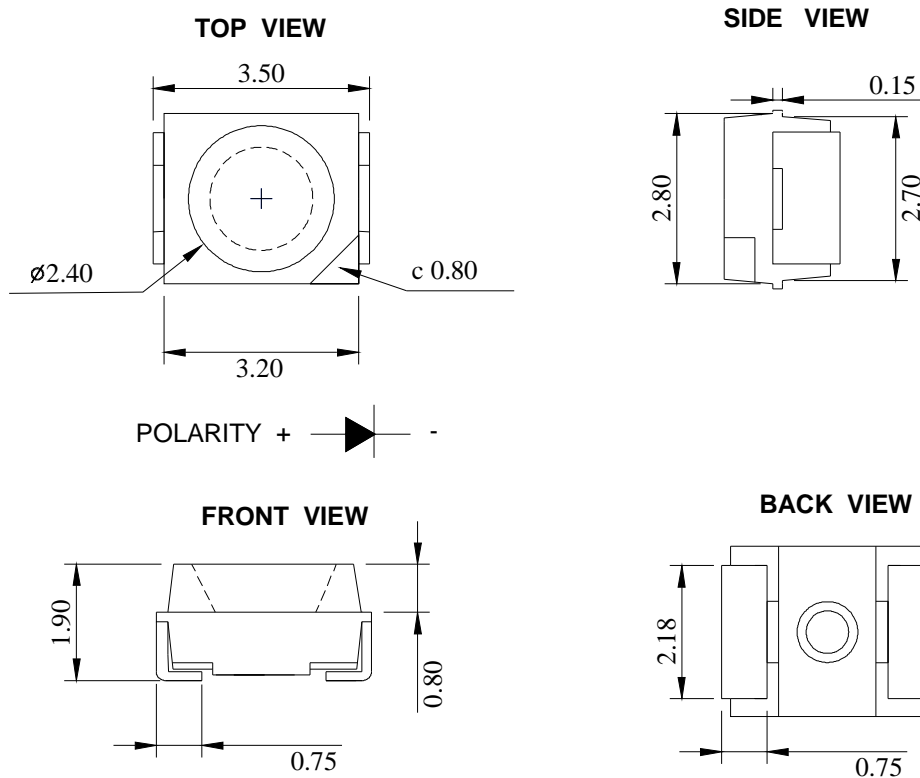
I Features

- Ū Top view, Wide view angle, Amber color PLCC 2 package SMD LED .
- Ū EIA STD package, packing in 8mm tape on 7" diameter reels (ANSI/EIA-481-B-2001).
- Ū Compatible with automatic Pick & Place equipment.
- Ū Compatible with IR Reflow soldering and TTW soldering.
- Ū Pb free product and acceptable lead-free process.
- Ū Meet RoHS Green Product.

I Application

- Ū Backlighting (LCD, Switches, keys, displays, illuminated advertising)
- Ū Emergency lighting / Signal and symbol luminaries.

I Package Outline Dimensions



Notes:

1. All dimensions are in millimeters.
2. Tolerance is $\pm 0.10\text{mm}$ (.004") unless otherwise noted.



SURFACE MOUNT DEVICE LED

Part No. : L-T670KFCT-U1

REV: A / 0

CHIP MATERIALS

- Ū Dice Material : AlInGaP
- Ū Light Color : Super Amber
- Ū Lens Color : Water Clear

Absolute Maximum Ratings(Ta=25°C)

| Symbol | Parameter | Rating | Unit |
|--------|--|--|------|
| PD | Power Dissipation | 75 | mW |
| IPF | Peak Forward Current (1/10 Duty Cycle, 0.1ms Pulse Width) | 100 | mA |
| IF | Continuous Forward Current | 20 | mA |
| VR | Reverse Voltage | 5 | V |
| ESD | Electrostatic Discharge Threshold (HBM) ^{Note A} | 2000 | V |
| Topr | Operating Temperature Range | -40 ~ + 85 | °C |
| Tstg | Storage Temperature Range | -40 ~ + 100 | °C |
| Tslđ | Soldering Temperature | Reflow Soldering:260°C (for 10seconds) | |
| | | Hand Soldering:350°C (for 3 seconds) | |

Note A :

HBM : Human Body Model. Seller gives no other assurances regarding the ability of to withstand ESD.

Electro-Optical Characteristics (Ta=25°C)

| Parameter | Symbol | Min. | Typ. | Max. | Unit | Test Condition |
|------------------------------|--------|------|------|------|------|-------------------|
| Luminous Intensity | IV | 155 | 190 | | mcd | IF=20mA |
| Viewing Angle | 2θ1/2 | | 120 | | Deg | |
| Peak Emission Wavelength | λp | | 611 | | nm | Measurement @Peak |
| Dominant Wavelength | λD | | 606 | | nm | IF=20mA |
| Spectrum Radiation Bandwidth | Δλ | | 20 | | nm | IF=20mA |
| Forward Voltage | VF | | 2.0 | 2.4 | V | IF = 20mA |
| Reverse Current | IR | | | 10 | μA | VR = 5V |



SURFACE MOUNT DEVICE LED

Part No. : L-T670KFCT-U1

REV: A / 0

Notes:

1. Luminous intensity is measured with a light sensor and filter combination that proximates the CIE eye-response curve.
2. $\theta_{1/2}$ is the off-axis angle at which the luminous intensity is half the axial luminous intensity.
3. Caution in ESD :
Static Electricity and surge damages the LED. It is recommended use a wrist band or anti-electrostatic glove when handling the LED. All devices, equipment and machinery must be properly grounded.
4. Major standard testing equipment by "Instrument System" Model : CAS140B Compact Array Spectrometer and "KEITHLEY" Source Meter Model : 2400.

I Typical Electro-Optical Characteristics Curves

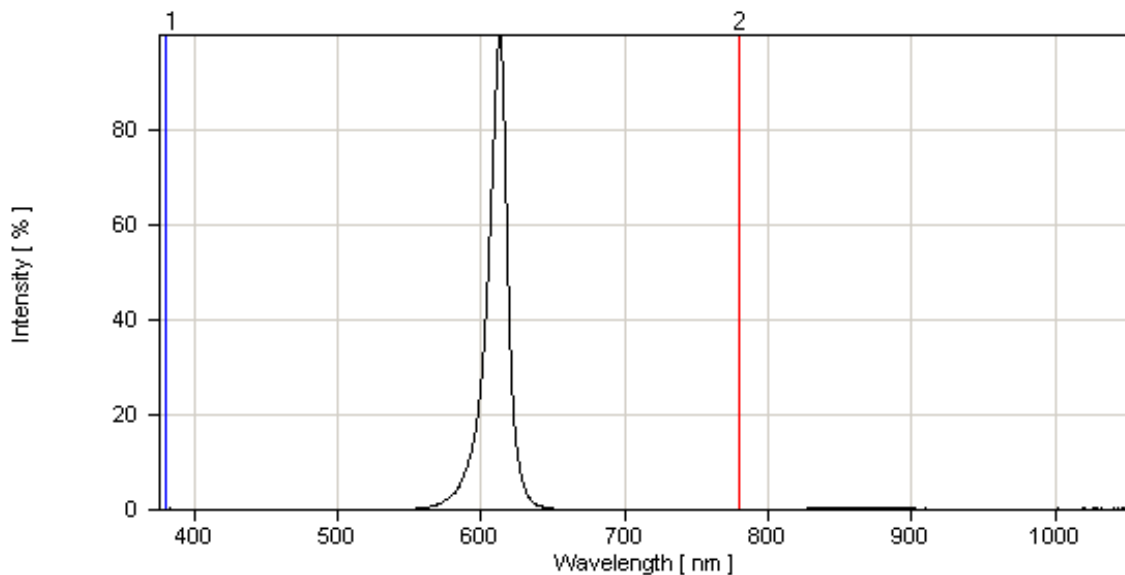


Fig.1 Relative Intensity vs. Wavelength



SURFACE MOUNT DEVICE LED

Part No. : L-T670KFCT-U1

REV: A / 0

I Typical Electro-Optical Characteristics Curves

(25°C Ambient Temperature Unless Otherwise Noted)

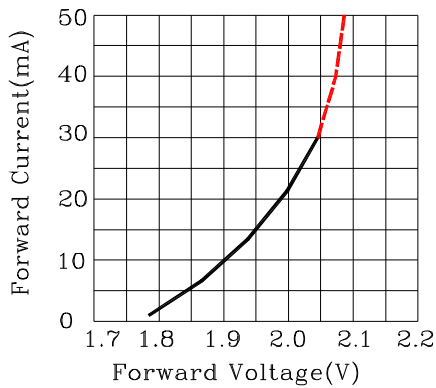


Fig.1 Forward Current vs.Forward Voltage

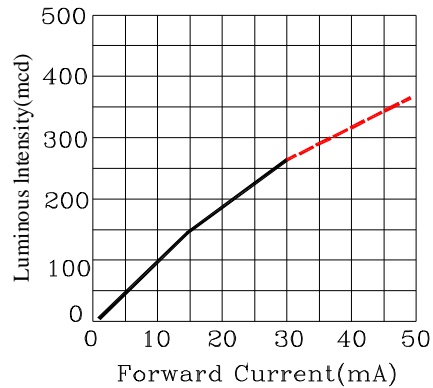


Fig.2 Luminous Intensity vs.Forward Current

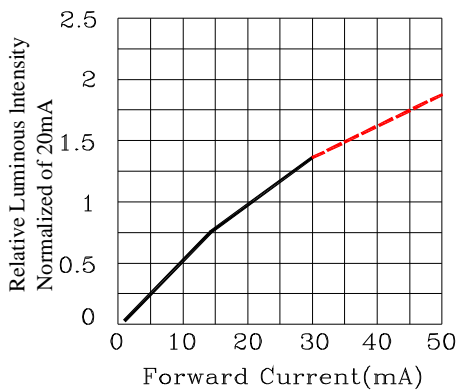


Fig.3 Relative Luminous Intensity vs.Forward Current

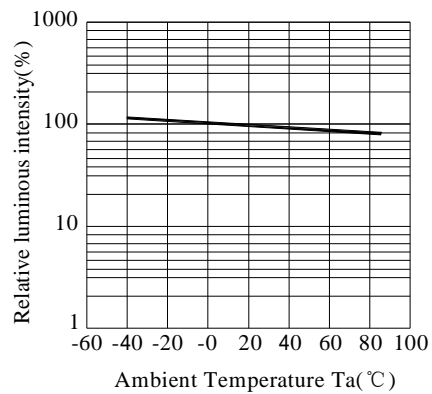


Fig.4 Luminous Intensity vs.Ambient Temperature

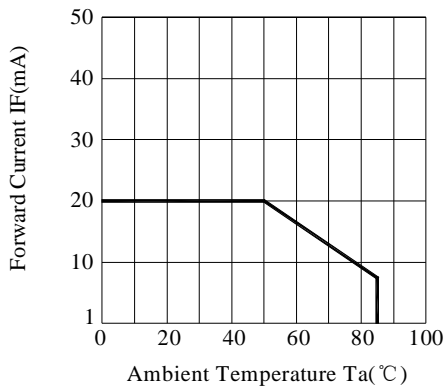


Fig.5 Forward Current Derating Curve

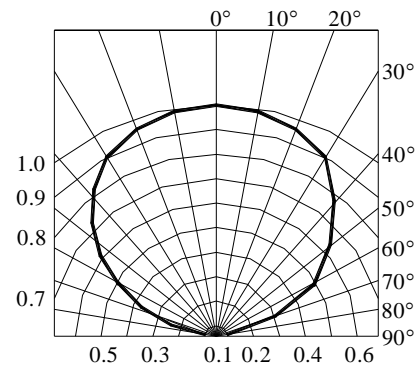


Fig.6 Relative Intensity vs.Angle



SURFACE MOUNT DEVICE LED

Part No. : L-T670KFCT-U1

REV: A / 0

I Bin Code List

| Luminous Intensity(IV), Unit:mcd@20mA | | |
|---------------------------------------|-----|-----|
| Bin Code | Min | Max |
| P13 | 155 | 190 |
| P14 | 190 | 230 |
| P15 | 230 | 280 |
| P16 | 280 | 350 |
| | | |
| | | |

| Forward Voltage(VF), Unit:V@20mA | | |
|----------------------------------|-----|-----|
| Bin Code | Min | Max |
| 3 | 1.8 | 1.9 |
| 4 | 1.9 | 2.0 |
| 5 | 2.0 | 2.1 |
| 6 | 2.1 | 2.2 |
| 7 | 2.2 | 2.3 |
| 8 | 2.3 | 2.4 |

Tolerance of each bin are±10%

Tolerance of each bin are±0.1Volt

| Dominant Wavelength (Hue),Unit: nm@20mA | | |
|---|-----|-----|
| Bin Code | Min | Max |
| OA1 | 600 | 603 |
| OA2 | 603 | 606 |
| OB1 | 606 | 609 |
| OB2 | 609 | 612 |

Tolerance of each bin are±1nm



SURFACE MOUNT DEVICE LED

Part No. : L-T670KFCT-U1

REV: A / 0

Label Explanation



CUS. PART NO: To be denominated.

CUSTOMER: To be denominated.

PART NO: Refer to P15

BATCH: P09 (actual code will be base on page 6 specification).

P13--- Luminous Intensity Code

VF--- Forward Voltage Code

WD--- Dominant Wavelength

LOT NO: E L P 6 8 0001
 A B C D E F

A---E: For series number

B---L: Local F: Foreign

C---P: PLCC SMD

D--- Year

E---Month

F---SPEC.

PACKING QUANTITY OF BAG :

2000pcs for T670 series

2000pcs for T650 series

2000pcs for S020 series

DATE CODE: 2006 06 08
 G H I

G--- Year

H--- Month

I --- Day

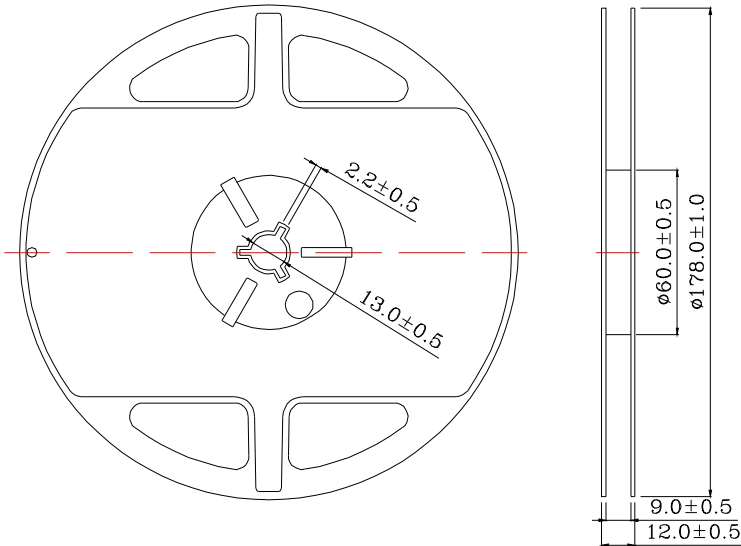


SURFACE MOUNT DEVICE LED

Part No. : L-T670KFCT-U1

REV: A / 0

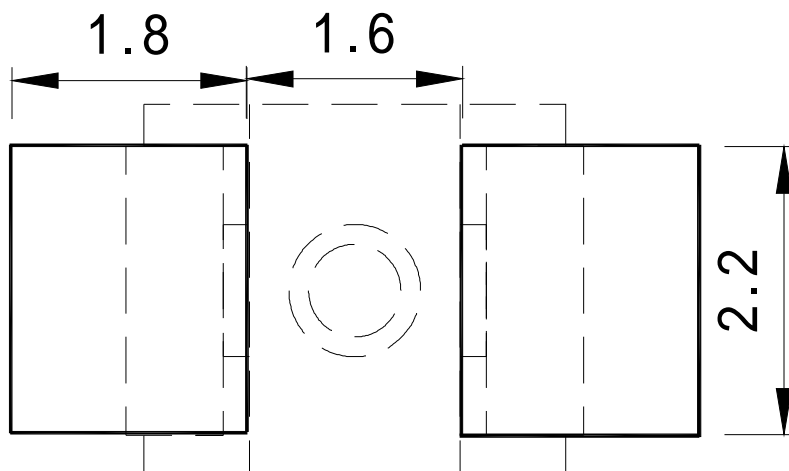
I Reel Dimensions



Notes:

1. Taping Quantity : 2000pcs/reel
2. The tolerances unless noted is ± 0.1 mm, Angle $\pm 0.5^\circ$, Unit: mm.

I Suggest Soldering Pad Dimensions



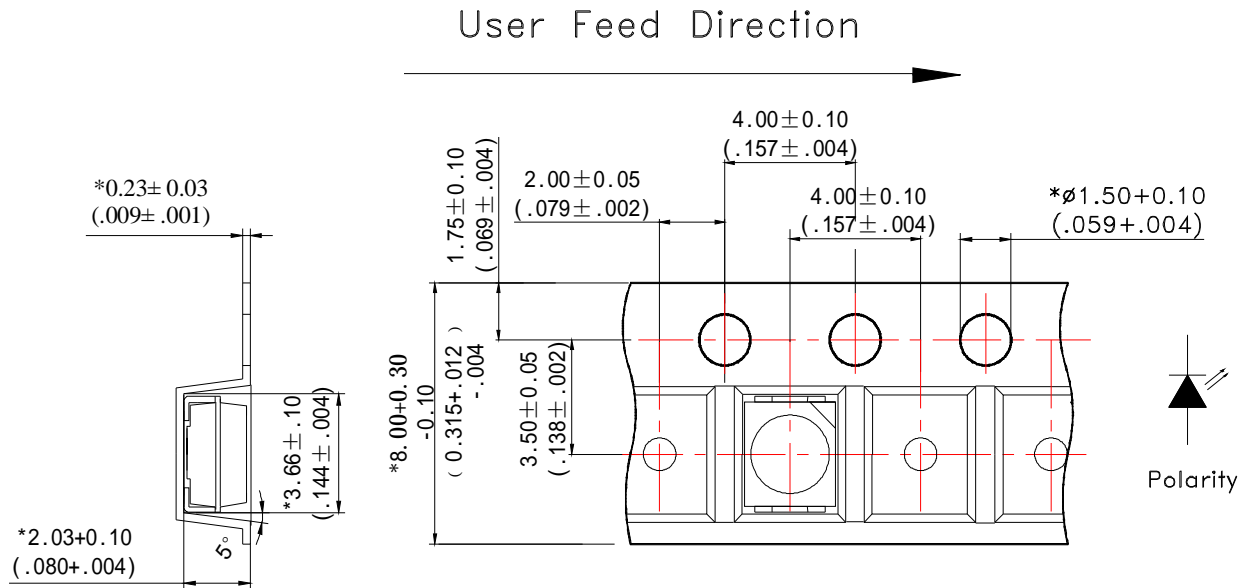


SURFACE MOUNT DEVICE LED

Part No. : L-T670KFCT-U1

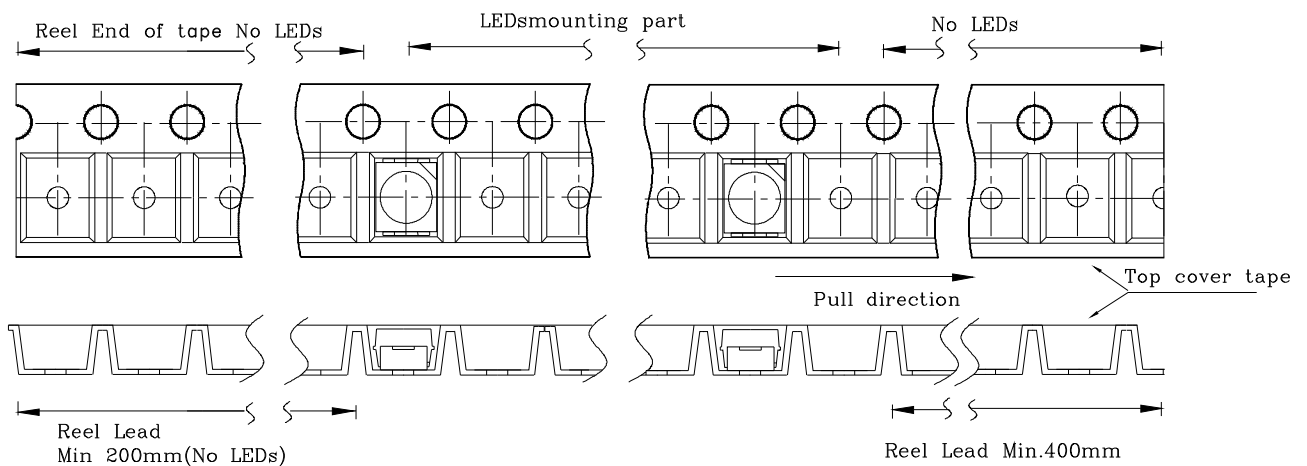
REV: A / 0

Package Dimensions Of Tape And Reel



Notes: All dimensions are in millimeters.

Packaging Of Electronic Components On Continuous Tapes



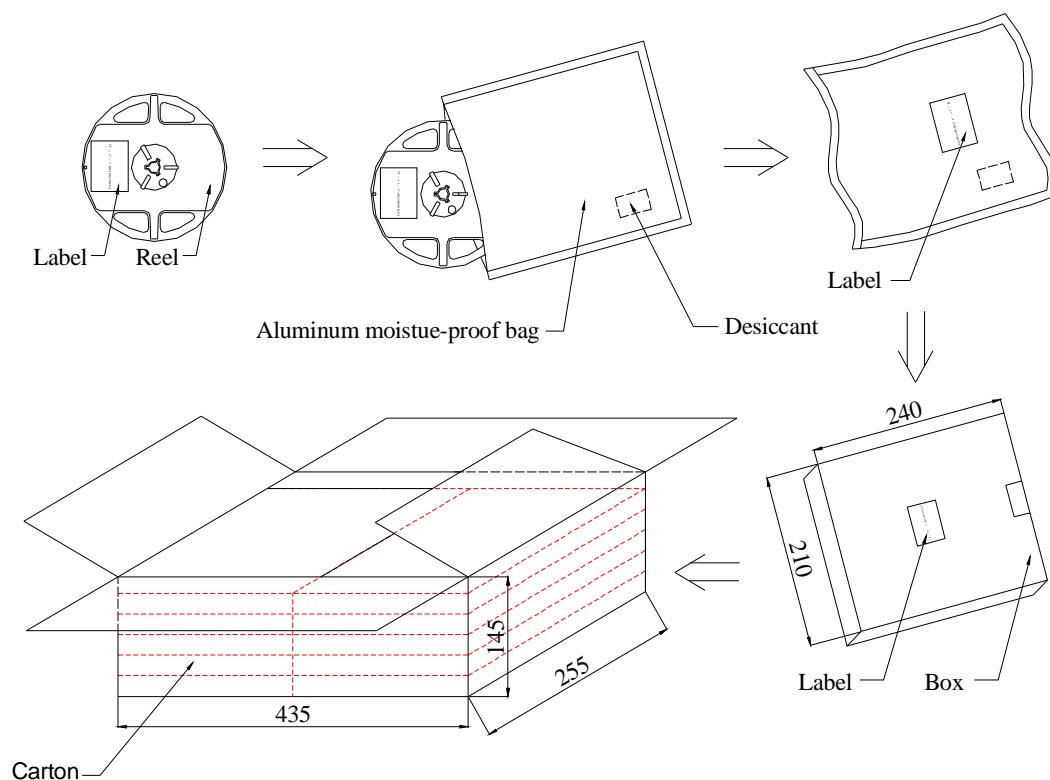


SURFACE MOUNT DEVICE LED

Part No. : L-T670KFCT-U1

REV: A / 0

I Moisture Resistant Packaging



Notes : One reel in a bag, one bag in a inner box, ten inner boxes in a carton. Unit : mm.

I Cleaning

- Ū If cleaning is required , use the following solutions for less than 1 minute and less than 40°C .
- Ū Appropriate chemicals: isopropyl alcohol. (When using other solvents, it should be confirmed beforehand whether the solvents will dissolve the package and the resin or not.)
- Ū Effect of ultrasonic cleaning on the LED resin body differs depending on such factors as ultrasonic power and the assembled condition. Before cleaning, a pre-test should be confirm whether any damage to the LEDS will occur.

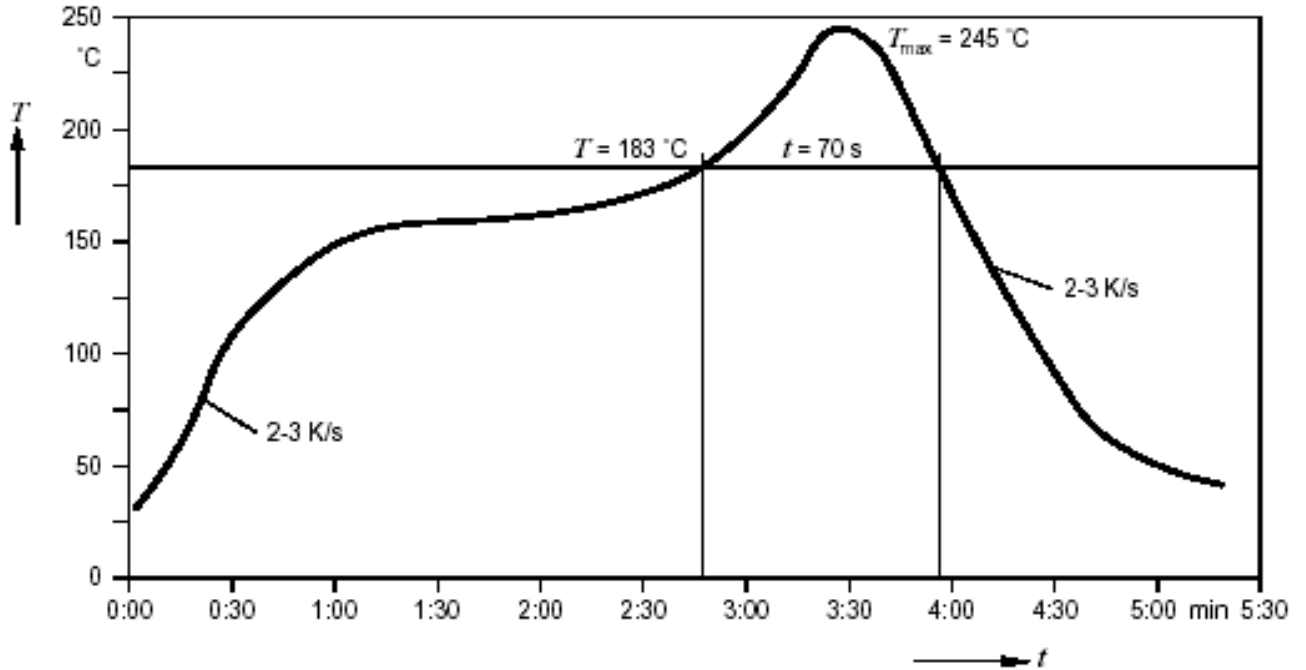


SURFACE MOUNT DEVICE LED

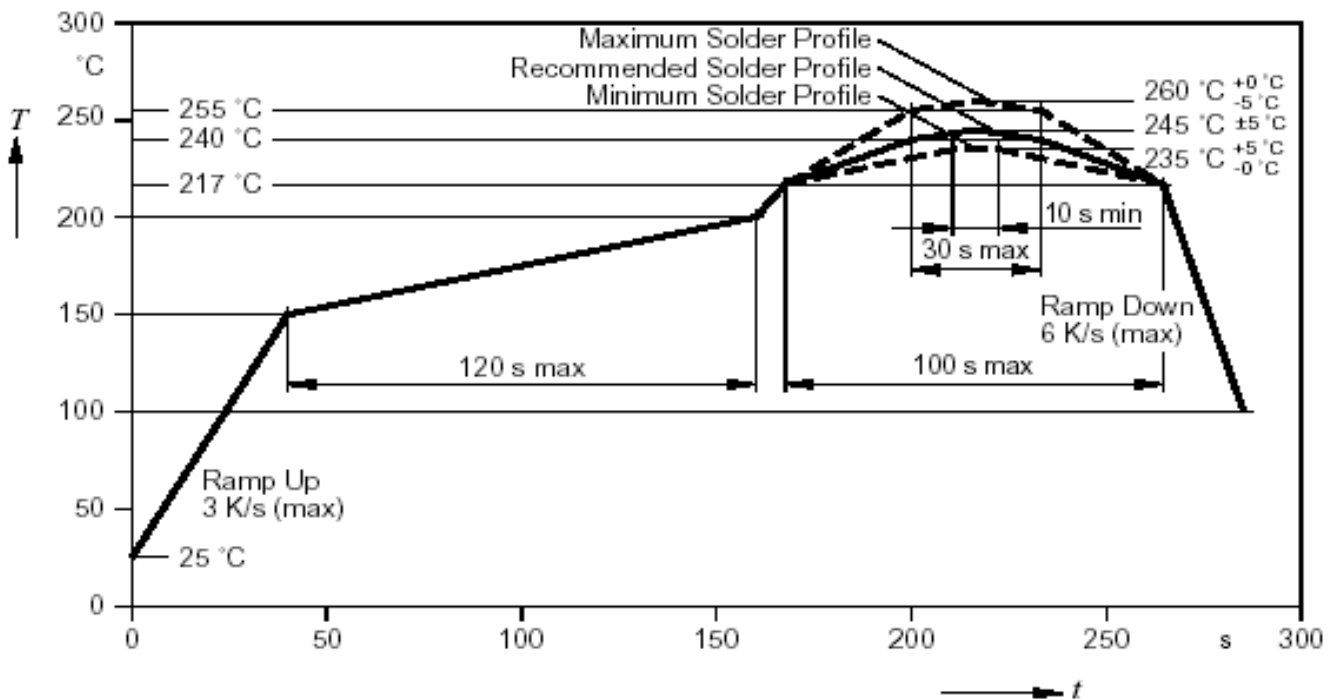
Part No. : L-T670KFCT-U1

REV: A / 0

- Suggest Sn/Pb IR Reflow Soldering Profile Condition:



- Suggest Pb-Free IR Reflow Soldering Profile Condition:





SURFACE MOUNT DEVICE LED

Part No. : L-T670KFCT-U1

REV: A / 0

I CAUTIONS**1. Static Electricity:**

- * Static electricity or surge voltage damages the LEDs.

It is recommended that a wrist band or an anti-electrostatic glove be used when handling the LEDs.

- * All devices, equipment and machinery must be properly grounded.

It is recommended that measures be taken against surge voltage to the equipment that mounts the LEDs.

- * When inspecting the final products in which LEDs were assembled, it is recommended to check whether the assembled LEDs are damaged by static electricity or not. It is easy to find static-damaged LEDs by a light-on test or a VF test at a lower current (blew 1mA is recommended).

* Damaged LEDs will show some unusual characteristics such as the leak current remarkably increases, the forward voltage becomes lower, or the LEDs do not light at the low current.

Criteria: (VF>2.0V, at IF=0.5mA)

2. Storage :

- * Before opening the package :

The LEDs should be kept at 30°C or less and 85%RH or less. When storing the LEDs, moisture proof packaging with absorbent material (silica gel) is recommended.

- * After opening the package :

The LEDs should be kept at 30°C or less and 70%RH or less. The LEDs should be soldered within 168 hours (7 days) after opening the package. If unused LEDs remain, they should be stored in moisture proof packages, such as sealed containers with packages of moisture absorbent material (silica gel). It is also recommended to return the LEDs to the original moisture proof bag and to reseal the moisture proof bag again.

If the moisture absorbent material (silica gel) has faded away or the LEDs have exceeded the storage time, baking treatment should be performed using the following conditions.

Baking treatment: more than 24hours at 65±5°C.

- * Please avoid rapid transitions in ambient temperature in high humidity environments where condensation may occur.

3. Soldering:

Do not apply any stress to the LED lens during soldering while the LED is at high temperature.

Recommended soldering condition.

- * Reflow Soldering :

Pre-heat 120~150°C, 120sec. MAX., Peak temperature : 240°C Max. Soldering time : 10 sec Max.

- * Soldering Iron : (Not recommended)

Temperature 350°C Max., Soldering time : 3 sec. Max.(one time only), power dissipation of iron :

20W Max. use SN60 solder of solder with silver content and don't touch LED lens when soldering.



SURFACE MOUNT DEVICE LED

Part No. : L-T670KFCT-U1

REV: A / 0

4. Lead-Free Soldering

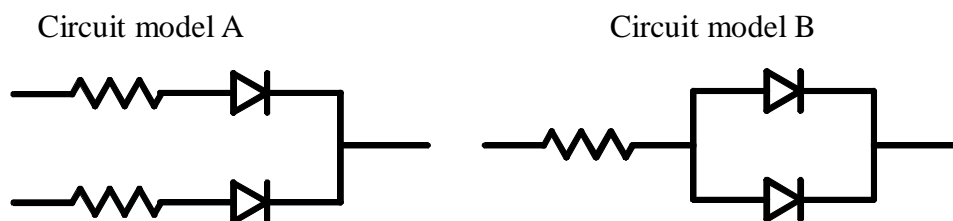
For Reflow Soldering :

- 1、Pre-Heat Temp: 150-180°C,120sec.Max.
- 2、Soldering Temp: Temperature Of Soldering Pot Over 240°C,40sec.Max.
- 3、Peak Temperature: 260°C、10sec.
- 4、Reflow Repetition: 2 Times Max.
- 5、Suggest Solder Paste Formula : 93.3 Sn/3.1 Ag/3.1 Bi/0.5 Cu

For Soldering Iron (Not Recommended) :

- 1、Iron Tip Temp: 350°C Max.
- 2、Soldering Iron: 30w Max.
- 3、Soldering Time: 3 Sec. Max. One Time.

5. Drive Method



(A)Recommended circuit.

(B)The difference of brightness between LED`s could be found due to the Vf-If characteristics of LED.

6. Reliability

1、Criteria For Judging The Damage

| Item | Symbol | Test Conditions | Criteria for Judgement | |
|--------------------|----------------|----------------------|------------------------|-------------|
| | | | MIN. | Max. |
| Forward Voltage | V _F | I _F =20mA | - | U.S.L.*×1.1 |
| Reverse Current | I _R | V _R =5V | - | U.S.L.*×2.0 |
| Luminous Intensity | I _V | I _F =20mA | L.S.L.**×0.7 | - |

*) U.S.L.: Upper Standard Level

***) L.S.L: Lower Standard Level



SURFACE MOUNT DEVICE LED

Part No. : L-T670KFCT-U1

REV: A / 0

2、 Test Items And Results

| Test Item | Reference Standard | Test Condition | Note | Number of Damaged |
|---|----------------------|--|----------------|-------------------|
| Resistance to Soldering Heat (Reflow Soldering) | JEITA ED-4701300 301 | Tsld=260°C,10sec. (Pre treatment 30°C,70%,168hrs) | 2times | 0/50 |
| Solder ability (Reflow Soldering) | JEITA ED-4701300 303 | Tsld=215°C,3sec. (Lead Solder) | 1time over 95% | 0/50 |
| Thermal Shock | JEITA ED-4701300 307 | -40°C ~ 100°C 30min. 30min. | 100cycles | 0/50 |
| Temperature Cycle | JEITA ED-4701100 105 | -40°C ~ 25°C~100°C~25°C 30min. 5min. 30min. 5min | 100cycles | 0/50 |
| High Temperature Storage | JEITA ED-4701200-201 | Ta=100°C | 1000hrs. | 0/50 |
| Temperature Humidity Storage | JEITA ED-4701100 103 | Ta=60°C,RH=90% | 1000hrs. | 0/50 |
| Low Temperature Storage | JEITA ED-4701200 202 | Ta=-40°C | 1000hrs. | 0/50 |
| Steady State Operating Life Condition | | Ta=25°C,IF=20mA | 1000hrs. | 0/50 |
| Steady State Operating Life of High Temperature | | Ta=85°C,IF=5mA | 500hrs. | 0/50 |
| Steady State Operating Life of High Humidity Heat | | Ta=60°C,RH=90%,IF=15mA | 500hrs. | 0/50 |

7.Others:

The appearance and specifications of the product may be modified for improvement without notice.



SURFACE MOUNT DEVICE LED

Part No. : L-T670KFCT-U1

REV: A / 0

PART NO. SYSTEM :

L - T 67 0 X X X - X X X X

XXXX : Special specification for customer

T : Taping for 7 inch reel
TC : Taping for 13 inch reel

Lens color
C : Water Clear
W : White Diffused
T : Color Transparent
D : Color Diffused

KY : 9mil AlInGap 590nm Super Yellow
KF: 9mil AlInGap 605nm Super Amber
KR : 9mil AlInGap 630 nm Super Red
TE : 14mil AlInGap 624 nm Super Red
TY: 14mil AlInGap590 nm Super Yellow
LB : InGaN ITO rough 470nm Blue
LG : InGaN ITO rough520nm Green
W : InGaN + YAG White color

0 : Single chip
1/2 : Super thin single chip
5/6 : Dual chip
F : Three chip(Full color)

65 : 3020 1.3T TYPE
67 : 3528 1.9T TYPE
020 : 3812 0.6T TYPE

C : PCB Top View Type
T : PLCC Top View Type
S : Side View Type