



PARA LIGHT ELECTRONICS CO., LTD.
11F, No.8, Jiankang Rd,Zhonghe Dist,New Taipei City 235, Taiwan
Tel: 886-2-2225-3733 Fax: 886-2-2225-4800
E-mail: para@para.com.tw http:// www.paralighttaiwan.com

DATA SHEET

PART NO. : LS171KRCT-XG

REV : A / 1

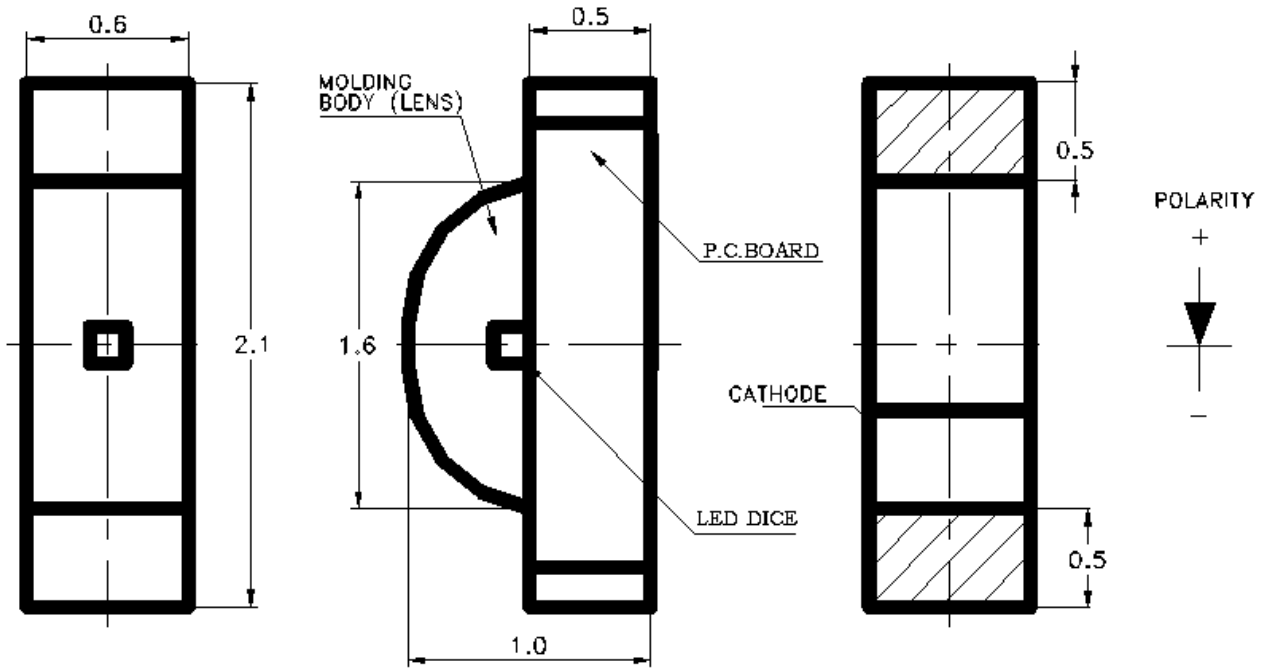
CUSTOMER'S APPROVAL : _____ DCC : _____

DRAWING NO. :DS-51-22-012

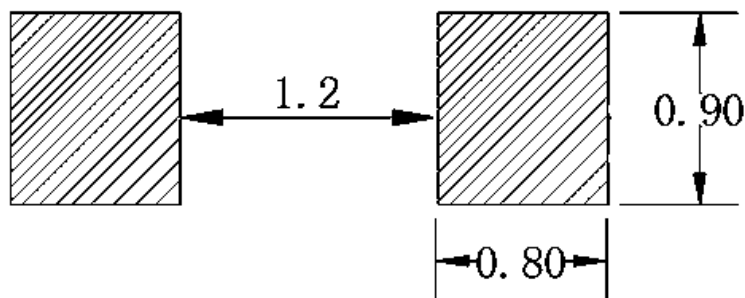
DATE : 2022-05-03

Page : 1

PACKAGE DIMENSIONS



Recommended pad size



NOTES :

- 1.All dimensions are in millimeters
- 2.Tolerances are ± 0.15 mm unless otherwise noted
- 3.The Specifications in the datasheet are subject to change without notice.



2.1 x 0.6 x 1.0mm SMD LED

LS171KRCT-XG

REV:A / 1

FEATURES

Dimension (L / w / h): 2.1 x 0.6 x 1.0mm

Color: Super Red light

Colloid: Transparent colloid

EIA standard packaging

Environmental protection products meet ROHS requirements

Suitable for automatic placement machine

Suitable for infrared reflow soldering process

ABSOLUTE MAXIMUM RATING : (Ta = 25°C)

Symbol	Parameter	Rating	Unit
PD	Power consumption	65	mW
If	Forward Current	30	mA
I _{fp}	Maximum pulse current (1/10 duty cycle 0.1ms)	70	mA
VR	Reverse Voltage	5	V
ESD	Electrostatic discharge	1500	V
Topr	Operating Temperature Range	-40°C ~ + 85°C	°C
Tstg	Storage Temperature Range	-40°C ~ + 85°C	°C
Tsol	Reflow soldering : 255°C ,10s, Hand soldering : 300°C ,3s		

Note: Pulse width ≤0.1ms,Duty≤1/10

ELECTRO-OPTICAL CHARACTERISTICS : (Ta = 25°C)

Parameter	Symbol	Min.	Typ.	Max.	Unit	Test Condition
Luminous Intensity	I _v	70	-	200	mcd	IF=20mA
Viewing Angle	2θ _{1/2}	-	120	-	deg	IF=20mA
Dominant Wavelength	WD	620	-	635	nm	IF=20mA
Forward Voltage	V _F	1.8	-	2.4	V	IF=20mA
Reverse Current	I _R	-	-	10	μA	VR=5V

● Bin Code List

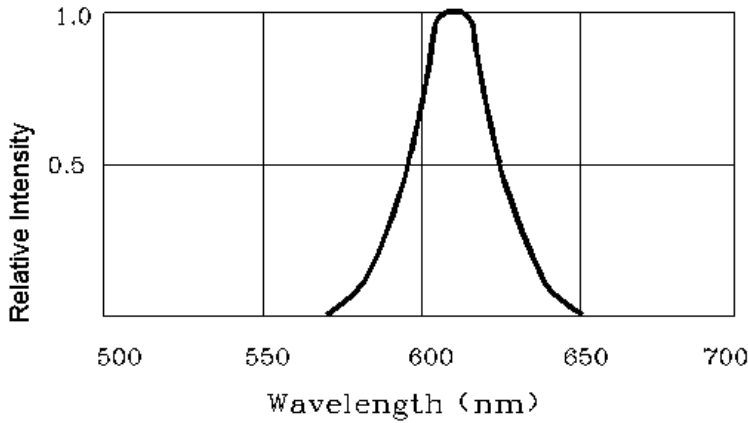
Parameter	Symbol	Min.	Max.	Unit	Test Condition
Luminous Intensity	IV	70	100	mcd	IF =20mA
		100	140		
		140	200		
Forward Voltage	VF	1.8	2.0	V	IF =20mA
		2.0	2.2		
		2.2	2.4		
Dominant Wavelength	WD	620	625	nm	IF =20mA
		625	630		
		630	635		

Label marking error:

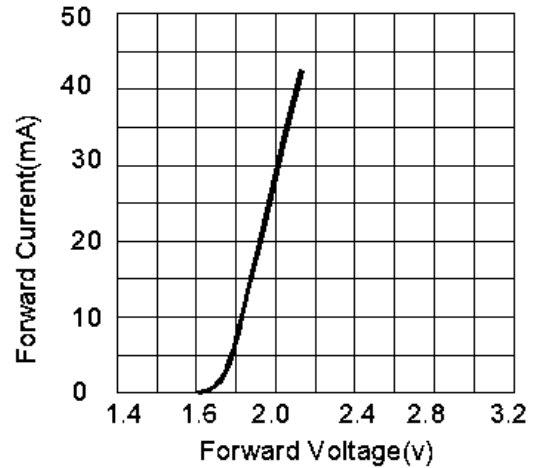
1. Tolerance of measurement of luminous intensity is $\pm 20\%$.
2. Tolerance of measurement of dominant wavelength is $\pm 2\text{nm}$.
3. Tolerance of measurement of Vf is $\pm 0.1\text{ V}$.

Typical Electro-Optical Characteristics Curves

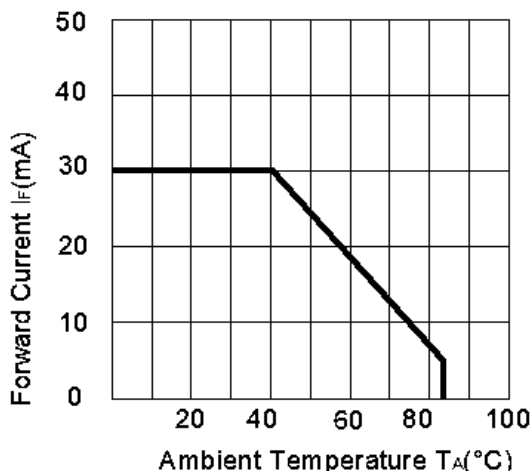
Relative intensity vs wavelength



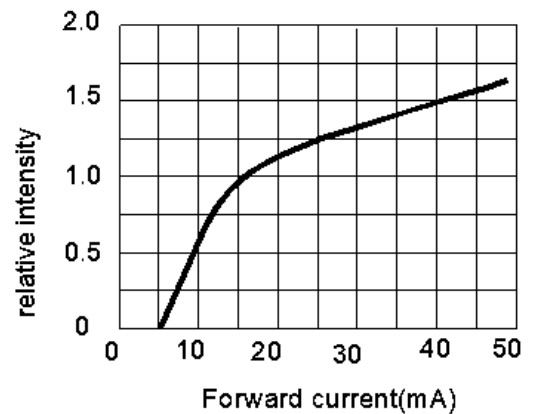
Voltage Current relationship



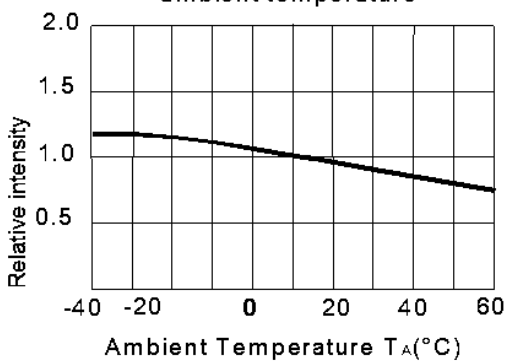
Current and ambient temperature



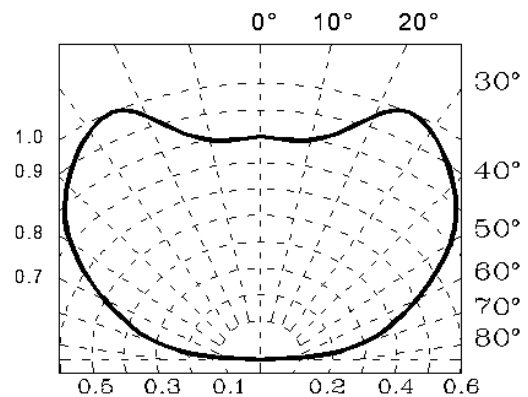
Relative light intensity vs current



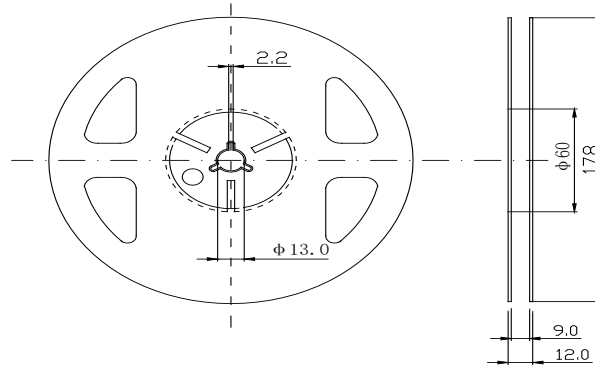
Relative light intensity vs ambient temperature



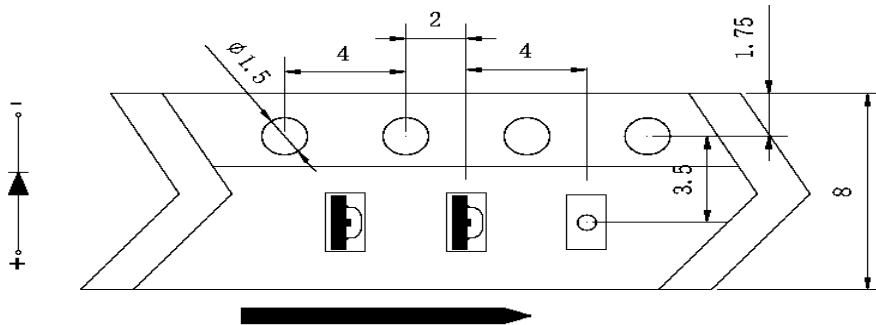
Radiation angle



● Reel Dimensions

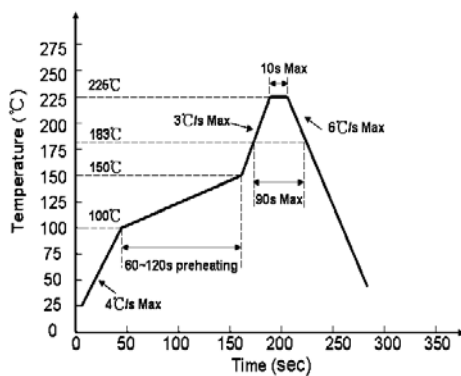


● Package Dimensions Of Tape And Reel

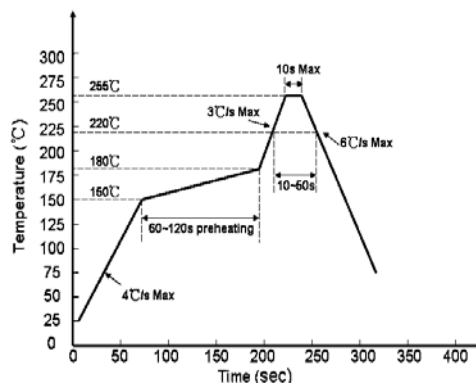


Notes:

1. Taping Quantity : 4000pcs
2. The tolerances unless mentioned is ± 0.15 mm



PB



PB FREE



2.1 x 0.6 x 1.0mm SMD LED

LS171KRCT-XG

REV:A / 1

Reliability Test Items And Conditions

number	Test Item	Ref.Standard	Test Conditions	Note	Conclusion
1	Reflow Soldering	JESD22-B106	Tsld=260°C,10sec	3 times	0/20
2	Temperature Cycle	JESD22-A104	85°C(30Min)~25°C (5min) ~-40°C(30Min)	300 cycle	0/20
3	Thermal Shock	JESD22-A106	-40°C (15Min) ~115°C (15Min)/ Switching time 5Min	200 cycle	0/20
4	High Temperature Storage	JESD22-A103	Ta=100°C	1000 hrs	0/20
5	Low Temperature Storage	JESD22-A119	Ta=-40°C	1000 hrs	0/20
6	Life Test	JESD22-A108	Ta=25°C IF=20mA	1000 hrs	0/20
7	Pulsed Operating Life	Enterprise standards	IFP = specification design, pulse width≤ 10ms, duty cycle ≤10%, high temperature energized pulse test (100±5°C-20mA-pulse 2.0HZ)	168hrs	0/20
8	Double 85 Aging attenuation experiment	Enterprise standards	85±5°C/85±5%RH;	1000hrs	0/20

Failure Criteria

Standard#	project	Test	Failure criteria
# 1	Forward voltage (VF)	IF=20mA	>U.S.L*1.1
	Light intensity (IV)	IF=20mA	<L.S.L*0.7
	Reverse Current (IR)	VR=5V	>U.S.L*2.0
# 2	Welding reliability	/	Less than 95% of solder paste covers pads

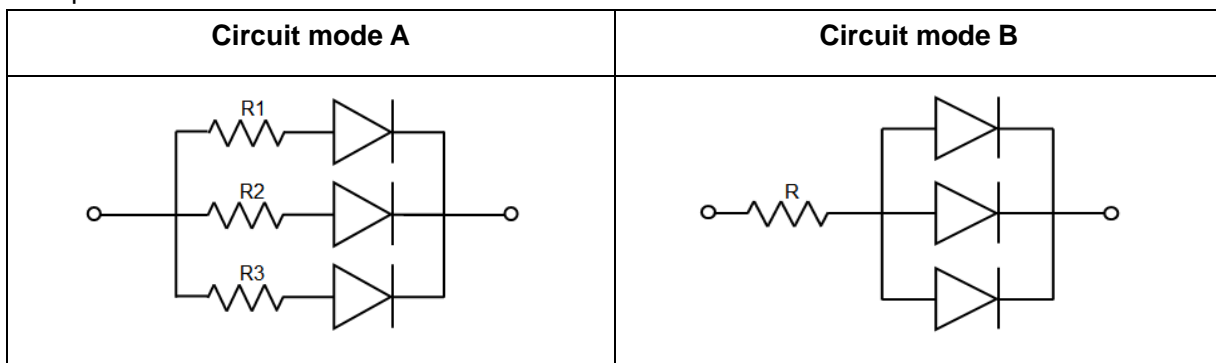
Notes:1.U.S.L means the upper limit of specified characteristics.

2.Measurment shall be taken between 2 hours and after the test pieces have been returned normal ambient conditions after completion of each test.

● Cautions

use

- LED is a current driven component, the slight change of voltage will produce large current fluctuation, which will lead to component damage.
The customer should use resistance series as current limiting protection.
- In order to ensure the color consistency of multiple LEDs in parallel, it is recommended to use a separate resistor for each branch, as shown in mode a below;
If the circuit shown in mode B below is used, the LED light color may be different due to the different volt ampere characteristics of each LED



- Too high temperature will affect the brightness and other performance of LED, so in order to make the LED have better performance, we should keep the led away from heat source

Storage

- Without opening the original package, the recommended storage environment is: temperature 5 °C ~ 30 °C, humidity below 85% RH. When inventory exceeds two months, Dehumidification should be carried out before use at 60 °C / 8 hours
- After opening the original package, the recommended storage environment is: temperature 5 ~ 30 °C, humidity below 60%
- LED is a humidity sensitive element. In order to avoid moisture absorption, it is recommended to store the LED in a sealed container with desiccant or in a nitrogen moisture-proof cabinet after opening the package
- After unpacking, the components should be used within 168 hours (7 days); and the welding should be completed as soon as possible after placement
- If the desiccant fails or the element is exposed to air for more than 168 hours (7 days), dehumidification should be performed, Baking conditions: 60 °C / 24 hours

ESD (Electrostatic Discharge)-Protection

A LED (especially the Blue、 White and Green product) is an ESD sensitive component, and static electricity or power surge will damage the LED. ESD-damaged LEDs will exhibit abnormal characteristics such as high reverse leakage current, low forward voltage, or “no light-up” at low currents, etc.

Some advice as below should be noticed:

- A conductive wrist strap or anti-electrostatic glove should be worn when handling these LEDs.
- All devices, equipment, machinery, work tables and storage racks, etc. must be properly grounded.



2.1 x 0.6 x 1.0mm SMD LED

LS171KRCT-XG

REV:A / 1

3. Use anti-static package or boxes to carry and storage LEDs. And ordinary plastic package or boxes is forbidden to use.
4. Use ionizer to neutralize the static charge during handling or operating.

Cleaning

Use alcohol-based cleaning solvents such as IPA (isopropyl alcohol) to clean LEDs if necessary.

Welding

- 1.Refer to the temperature curve on page 1 for reflow welding conditions;
- 2.The number of reflow soldering shall not exceed two times;
- 3.It is only recommended to use manual welding in the case of repair and heavy work. The maximum welding temperature should not exceed 300 °C and should be completed within 3 seconds.
- 4.The maximum power of soldering iron shall not exceed 30W;
- 5.During welding, it is forbidden to touch colloid at high temperature; after welding, it is forbidden to apply external force on colloid and bend PCB to avoid damage to components to hit.

Other

- 1.The definition of LED described in this specification shall be used in the scope of common electronic equipment (such as office equipment, communication equipment, etc.). If there is more severe Especially when the component failure or failure may directly endanger life and health (such as aerospace, transportation, transportation, medical treatment) Equipment, safety protection, etc.), please inform our business personnel in advance;
- 2.When high brightness LED products are on, it may cause damage to human eyes, so it is necessary to avoid looking directly at them from above;
- 3.For the purpose of continuous improvement, product appearance and parameter specifications may be changed without prior notice.