



PARA LIGHT ELECTRONICS CO., LTD.

11F., No. 8, Jiankang Rd., Zhonghe Dist., New Taipei City 235, Taiwan,

Tel: 886-2-2225-3733

Fax: 886-2-2225-4800

E-mail: para@para.com.tw

<http://www.para.com.tw>

DATA SHEET

PART NO. : L-C153LGCT-HD-U1

REV : A/1

CUSTOMER'S APPROVAL : _____

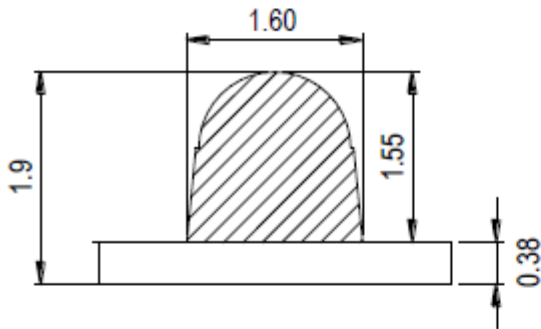
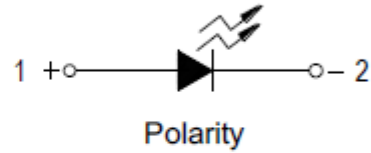
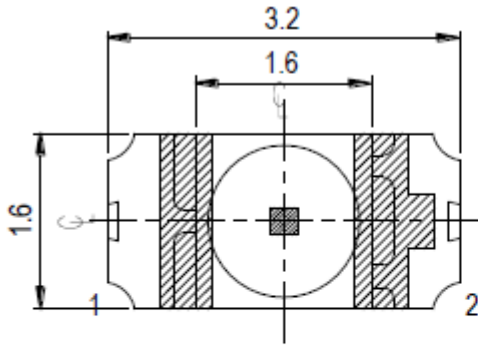
DCC : _____

DRAWING NO. : DS-51-16-021

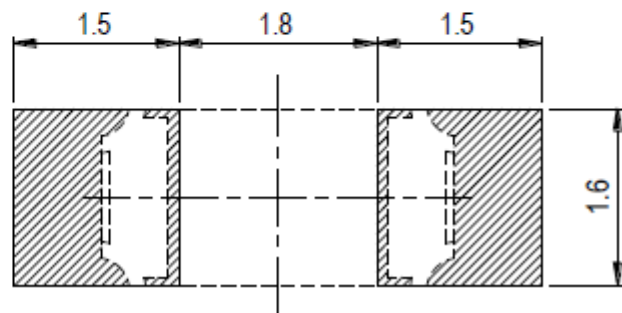
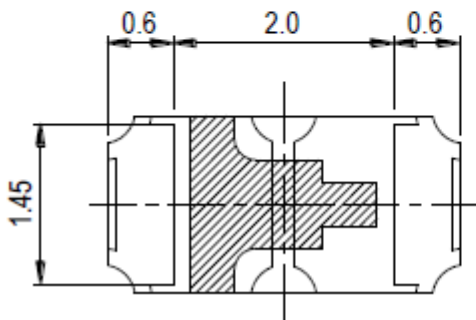
DATE : 2021-11-22

Page : 1

PACKAGE DIMENSIONS



Recommended Solder Pad



Note:
Tolerance unless mentioned is ± 0.1 mm, Unit = mm.



3.2*1.6*1.9 mm SMD LED

L-C153LGCT-HD-U1

REV:A/1

FEATURES

- * 3.2*1.6*1.9 mm SMD LED
- * LOW POWER CONSUMPTION
- * Wide Viewing Angle
- * LONGLIFE SOLID STATE RELIABILITY

CHIP MATERIALS

- * Dice Material : InGaN
- * Light Color : Brilliant Green
- * Lens Color : WATER CLEAR

ABSOLUTE MAXIMUM RATING : (Ta = 25°C)

SYMBOL	PARAMETER	Rating	UNIT
PD	Power Dissipation	95	mW
If	Forward Current	25	mA
Ifp	Peak Forward Current (1/10 duty cycle 0.1ms)	60	mA
Topr	Operating Temperature Range	-40 ~ + 85	°C
Tstg	Storage Temperature Range	-40 ~ + 100	°C
Tsol	Soldering Temperature	Reflow Soldering 260°C For 10 SEC Hand Soldering 350°C For 3 SEC	

ELECTRO-OPTICAL CHARACTERISTICS : (Ta = 25°C)

Parameter	Symbol	Min.	Typ.	Max.	Unit	Test Condition
Luminous Intensity	Iv	3600	5700	9000	mcd	IF=20mA
Viewing Angle	2θ1/2	--	15	--	deg	IF=20mA
Dominant Wavelength	λD	510	520	530	nm	IF=20mA
Forward Voltage	VF	2.7	3.0	3.4	V	I IF=20mA
Reverse Current	IR	--	--	10	μA	VR=5V

Typical Electro-Optical Characteristics Curves

25°C Ambient Temperature Unless Otherwise Noted

Fig.1-Forward Voltage Shift vs. Junction Temperature

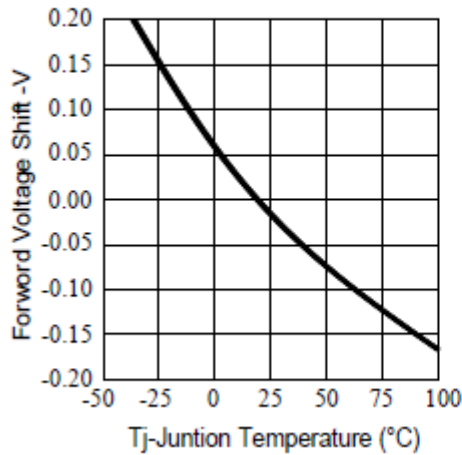


Fig.2-Relative Luminous Intensity vs. Forward Current

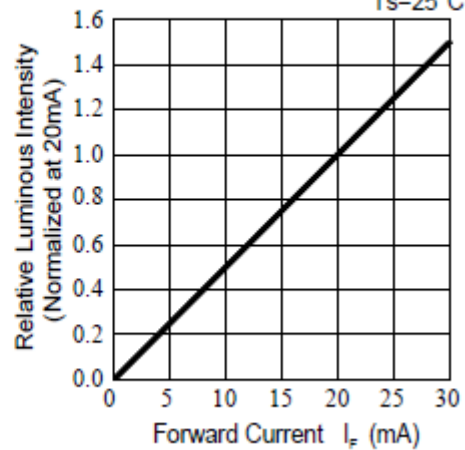


Fig.3-Relative Luminous Intensity vs. Junction Temperature

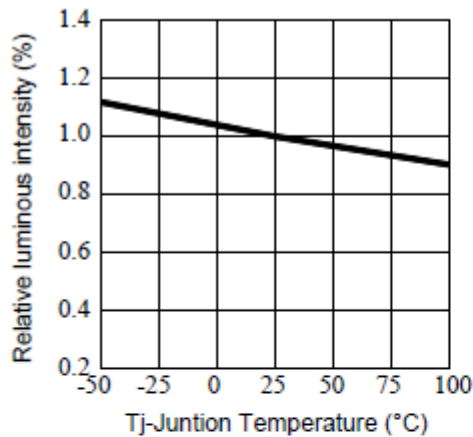


Fig.4-Forward Current vs. Forward Voltage

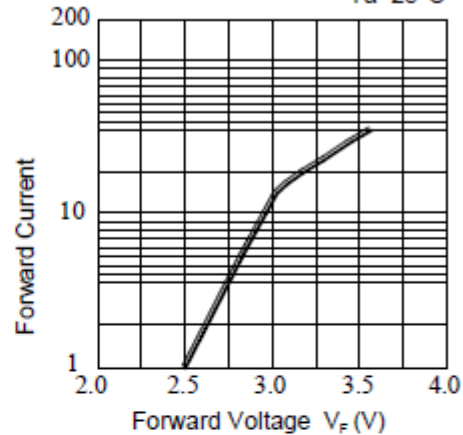


Fig.5-Max. Driving Forward Current vs. Soldering Temperature

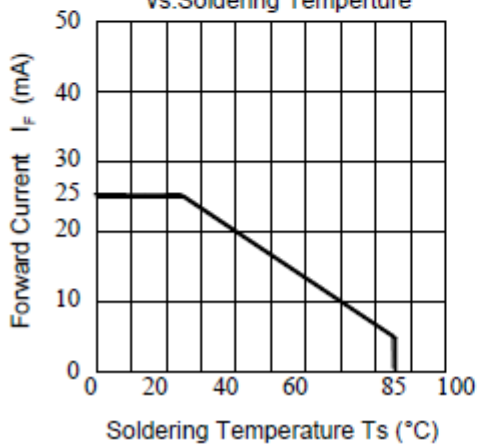
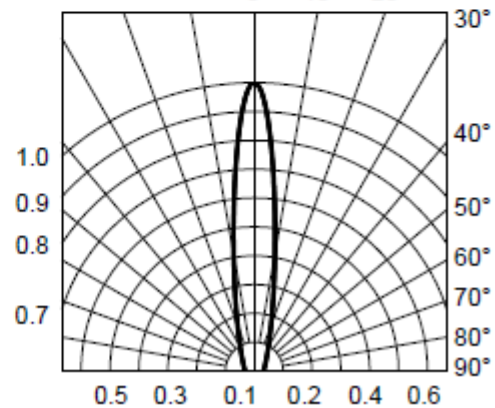


Fig.6-Radiation Diagram





3.2*1.6*1.9 mm SMD LED

L-C153LGCT-HD-U1

REV:A/1

Bin Range of Luminous Intensity:

Bin Code	Min.	Max.	Unit	Condition
AY2	3600	4500	mcd	IF=20mA
AZ1	4500	5700		
AZ2	5700	7200		
AZ3	7200	9000		

Note: Tolerance of Luminous Intensity: $\pm 10\%$

Bin Range of Dominant Wavelength:

Bin Code	Min.	Max.	Unit	Condition
A3	510	515	nm	IF=20mA
A4	515	520		
A5	520	525		
A6	525	530		

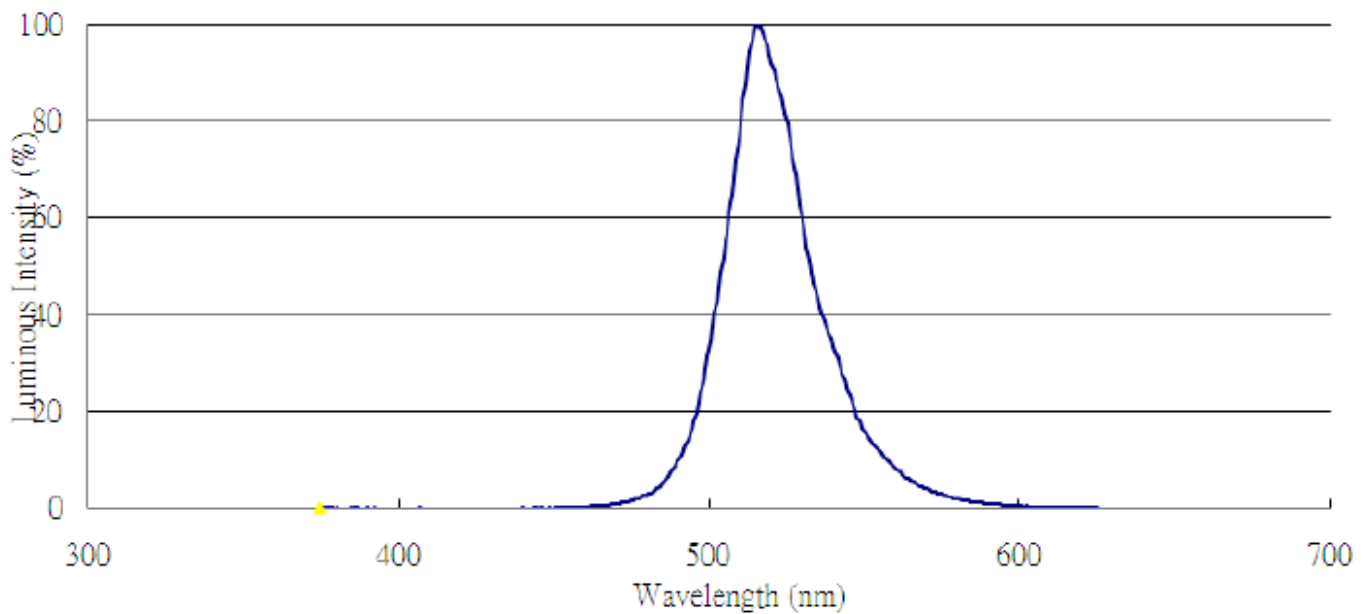
Note: Tolerance of Dominant Wavelength: $\pm 1\text{nm}$

Bin Range of Forward Voltage:

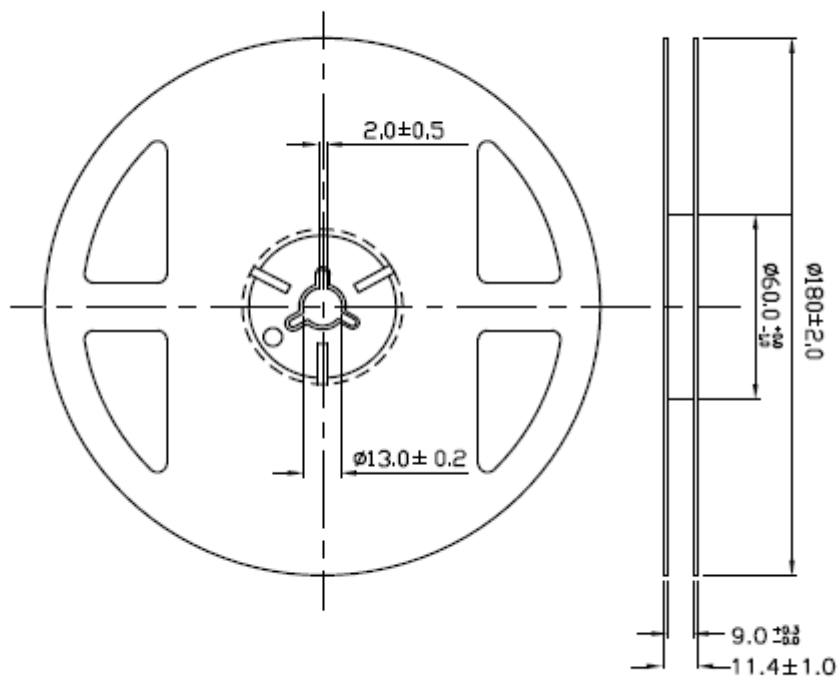
Bin Code	Min.	Max.	Unit	Condition
34	2.7	2.8	V	IF=20mA
35	2.8	2.9		
36	2.9	3.0		
37	3.0	3.1		
38	3.1	3.2		
39	3.2	3.3		
40	3.3	3.4		

Note: Tolerance of Forward Voltage: $\pm 0.05\text{V}$

Spectrum Distribution

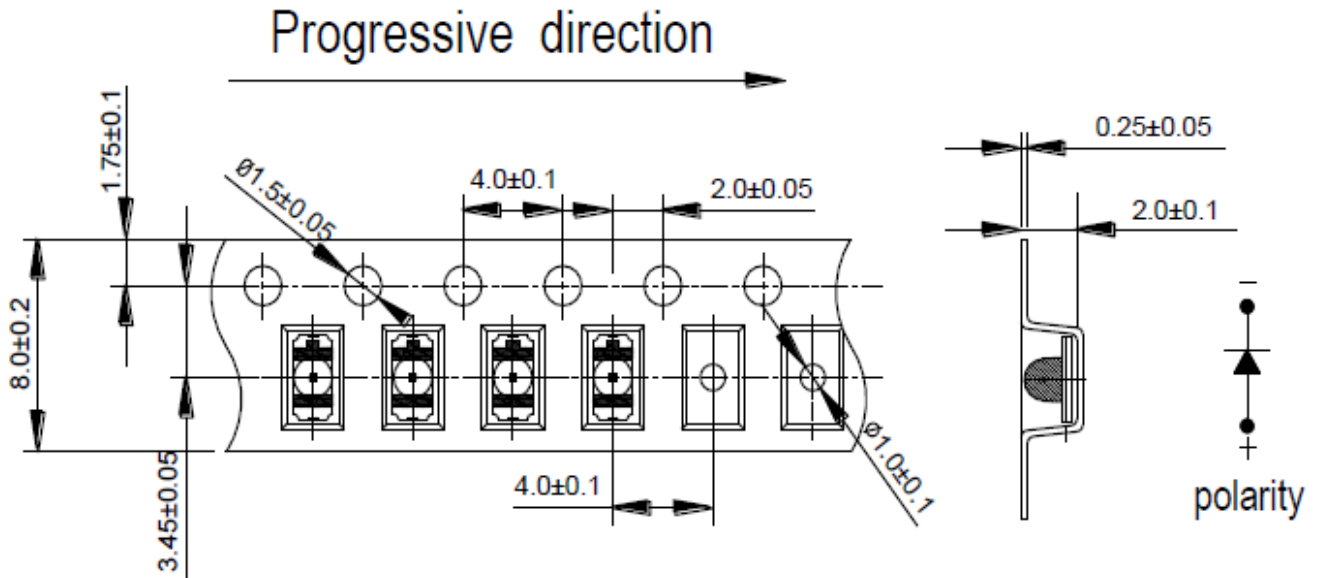


Reel Dimensions



Note:
Tolerances unless mentioned ± 0.1 mm, Unit = mm.

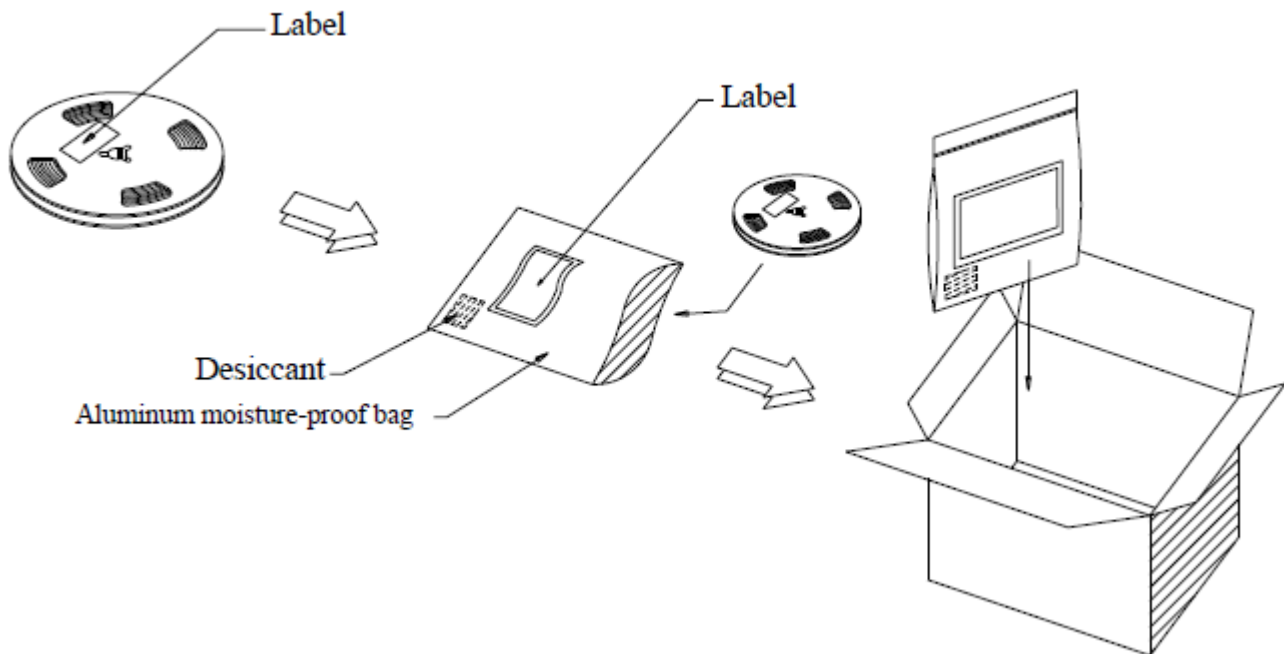
Carrier Tape Dimensions: Loaded Quantity 2000 pcs Per Reel



Note:

- 1. Tolerance unless mentioned is ± 0.1 mm, Unit = mm.
- 2. Minimum packing amount is 1000 pcs per reel.

Moisture Resistant Packing Process





3.2*1.6*1.9 mm SMD LED

L-C153LGCT-HD-U1

REV:A/1

Reliability Test Items and Conditions

The reliability of products shall be satisfied with items listed below.

Confidence level : 90%

LTPD : 10%

No.	Items	Test Condition	Test Hours/Cycles	Sample Size	Ac/Re
1	Reflow Soldering	Temp. : 260°C/10sec.	6 Min.	22 PCS.	0/1
2	Thermal Shock	H : +100°C 5min ∩ 10 sec L : -10°C 5min	300 Cycles	22 PCS.	0/1
3	Temperature Cycle	H : +100°C 15min ∩ 5 min L : -40°C 15min	300 Cycles	22 PCS.	0/1
4	High Temperature/Humidity Reverse Bias	Ta=85°C,85%RH	1000 Hrs.	22 PCS.	0/1
5	Low Temperature Storage	Ta=-40°C	1000 Hrs.	22 PCS.	0/1
6	High Temperature Storage	Ta=100°C	1000 Hrs.	22 PCS.	0/1
7	DC Operation Life	Ta=25°C, If = 20 mA	1000 Hrs.	22 PCS.	0/1

Precautions for Use

1. Over-current-proof

Customer must apply resistors for protection; otherwise slight voltage shift will cause big current change (Burn out will happen).

2. Storage

2.1 Do not open moisture proof bag before the products are ready to use.

2.2 Before opening the package: The LEDs should be kept at 30°C or less and 90%RH or less.

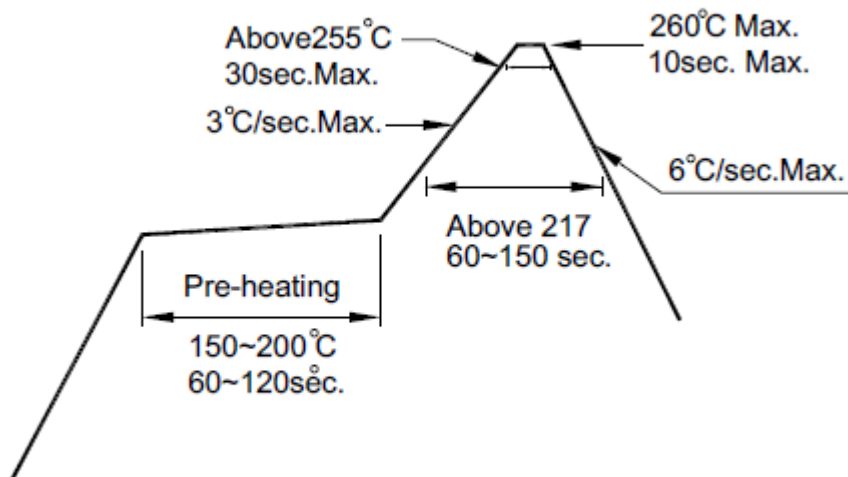
2.3 After opening the package: The LED's floor life is 1 year under 30°C or less and 60% RH or less. If unused LEDs remain, it should be stored in moisture proof packages.

2.4 If the moisture absorbent material (silica gel) has faded away or the LEDs have exceeded the storage time, baking treatment should be performed using the following conditions.

Baking treatment: 60±5°C for 24 hours.

3. Soldering Condition

3.1 Pb-free solder temperature profile



3.2 Reflow soldering should not be done more than two times.

3.3 When soldering, do not put stress on the LEDs during heating.

3.4 After soldering, do not warp the circuit board.

4. Soldering Iron

Each terminal is to go to the tip of soldering iron temperature less than 350°C for 3 seconds within once in less than the soldering iron capacity 25W. Leave two seconds and more intervals, and do soldering of each terminal. Be careful because the damage of the product is often started at the time of the hand solder.

5. Repairing

Repair should not be done after the LEDs have been soldered. When repairing is unavoidable, a double-head soldering iron should be used (as below figure). It should be confirmed beforehand whether the characteristics of the LEDs will or will not be damaged by repairing.