



**PARA LIGHT ELECTRONICS CO., LTD.**

11F., No. 8, Jiankang Rd., Zhonghe Dist., New Taipei City 235, Taiwan,

Tel: 886-2-2225-3733

Fax: 886-2-2225-4800

E-mail: [para@para.com.tw](mailto:para@para.com.tw)

[www.paralighttaiwan.com](http://www.paralighttaiwan.com)

DATA SHEET

PART NO.: L-T67FRGBCT-BKS-U1

REV: A / 4

CUSTOMER'S APPROVAL: \_\_\_\_\_

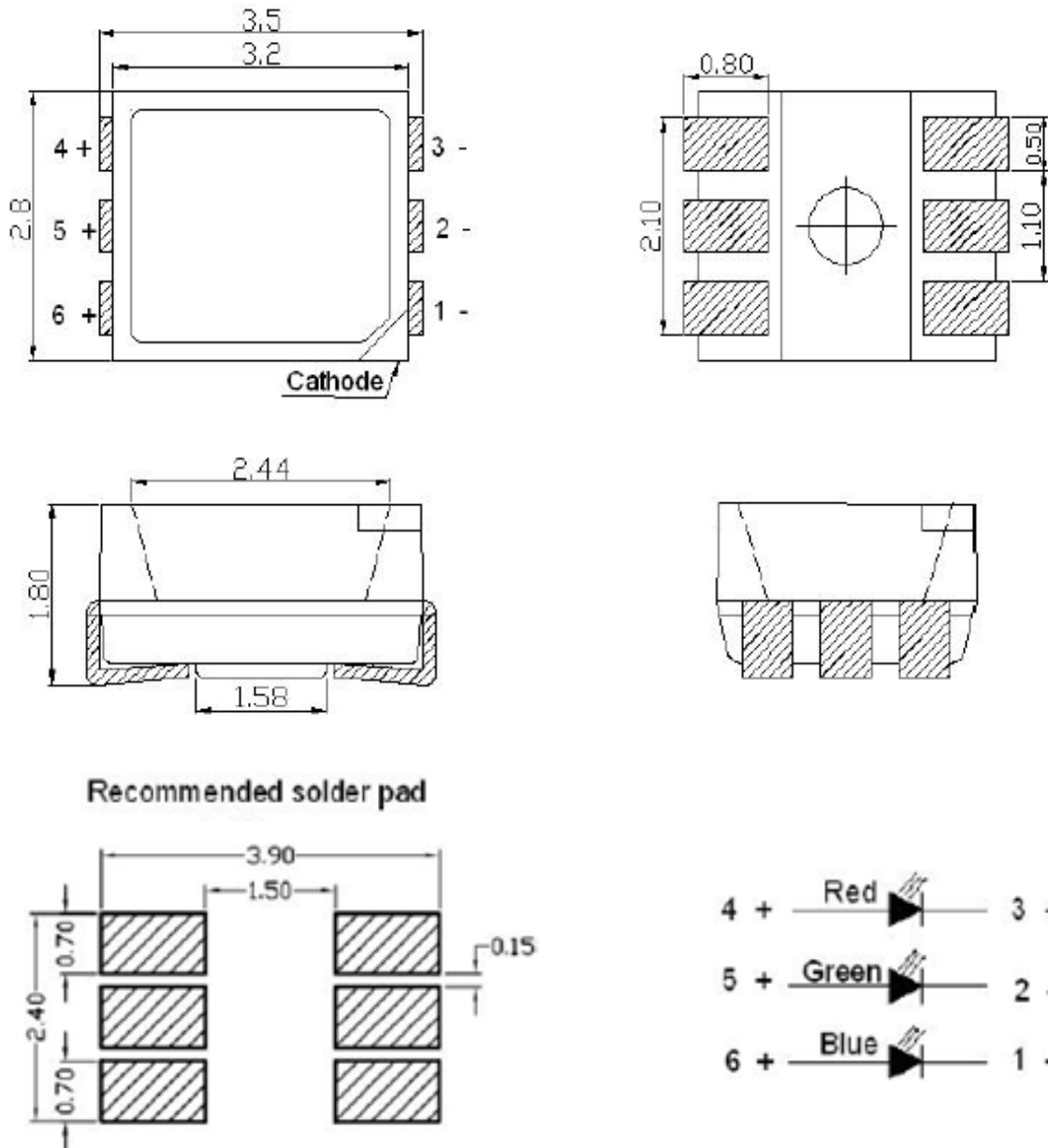
DCC: \_\_\_\_\_

DRAWING NO.: DS-31P-18-0203

DATE: 2019-02-28

PAGE 1 of 10

● Package Dimension



Notes:

1. All dimensions are in millimeters (inches).
2. Tolerance is  $\pm 0.254\text{mm}$  (0.01" ) unless otherwise specified.
3. Lead spacing is measured where the leads emerge from the package.
4. Specifications are subject to change with notice.

● **Features**

- \* PLCC-6 package.
- \* Fluorescence Type.
- \* High Luminous Intensity.
- \* High Efficiency.
- \* Pb-free.
- \* The product itself will remain within RoHS compliant version.

● **Applications**

- \* General lighting
- \* Decorative and Entertainment Lighting.
- \* Indicators
- \* Illuminations.
- \* Switch lights.

● **Device Selection Guide**

Chip	Emitted Color	Resin Color
Material		
AlGaInP/InGaN/InGaN	RGB	Water Clear

● **Absolute Maximum Ratings at Ta = 25°C**

Parameter	Symbol	Rating			Unit
		R	G	B	
Power Dissipation	Pd	48	102	102	mW
Peak Forward Current (1/10 Duty Cycle, 0.1ms Pulse Width)	IFP	80	100	100	mA
DC Forward Current	IF	20	30	30	mA
Reverse Voltage	VR	5	5	5	V
Operating Temperature Range	Topr	- 40°C ~ + 85°C			
Storage Temperature Range	Tstg	- 40°C ~ +100°C			
Soldering Condition	Tsol	Reflow soldering : 260°C For 5 Seconds Hand soldering: 300°C For 3 Seconds			

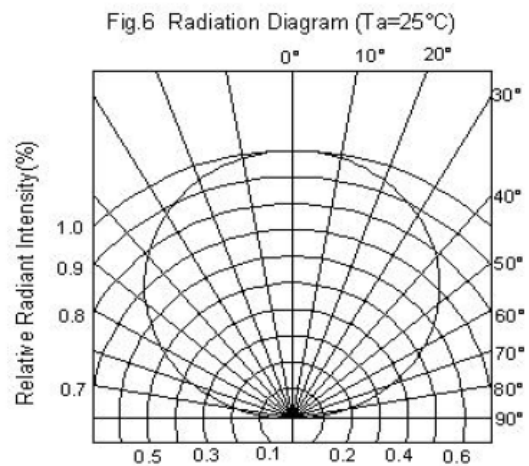
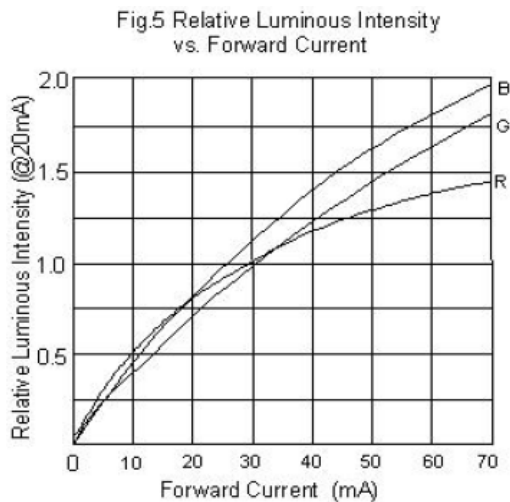
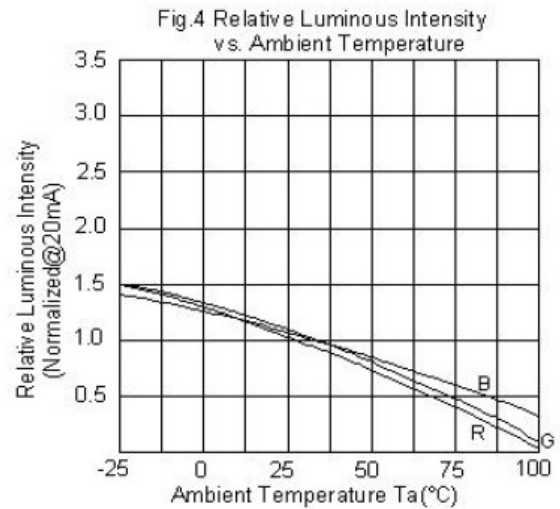
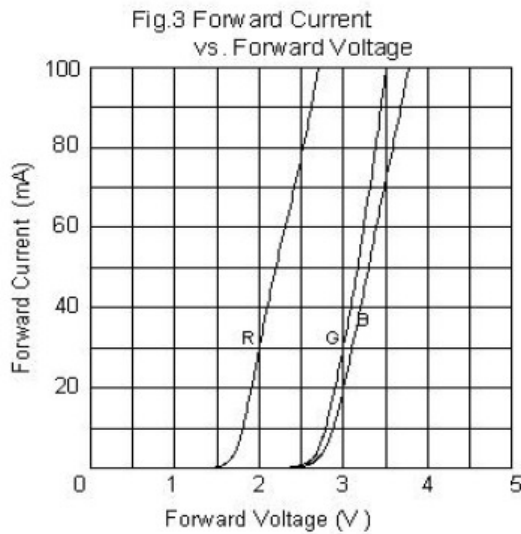
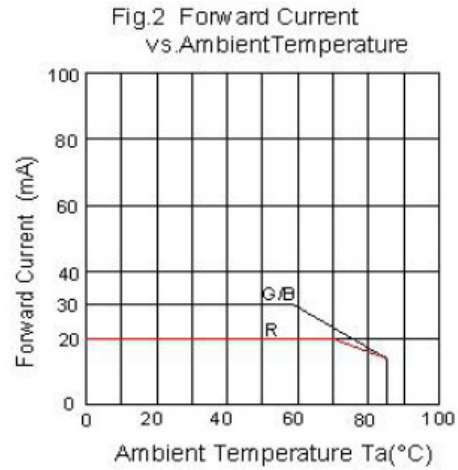
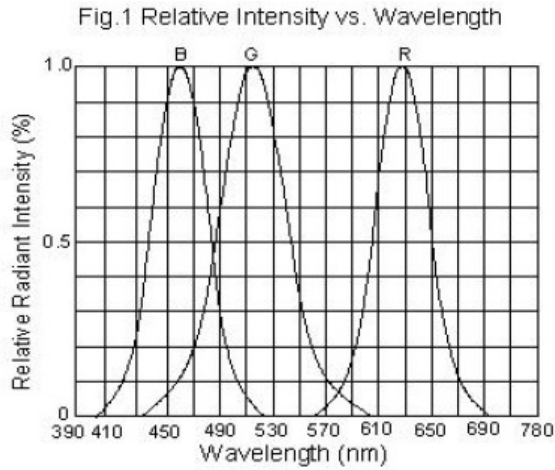
● Electrical and optical characteristics(Ta=25℃)

Parameter	Symbol		Value			Unit	Test Condition
			Min.	Typ.	Max.		
Luminous Flux	$\Phi_v$	R	2		3	lm	IF =20mA
		G	7		9	lm	IF =20mA
		B	1		2	lm	IF =20mA
Dominant Wavelength	$\lambda_d$	R	620	---	630	nm	IF =20mA
		G	530	---	535	nm	IF =20mA
		B	465	---	470	nm	IF =20mA
Peak Wavelength	$\lambda_p$	R	---	630	---	nm	IF =20mA
		G	---	530	---	nm	IF =20mA
		B	---	465	---	nm	IF =20mA
Spectral Line Half-Width	$\Delta \lambda$	R	---	18	---	nm	IF =20mA
		G	---	30	---	nm	IF =20mA
		B	---	20	---	nm	IF =20mA
Forward Voltage	VF	R	1.8	---	2.4	V	IF =20mA
		G	2.6	---	3.4	V	IF =20mA
		B	2.6	---	3.4	V	IF =20mA
Viewing Angle	2θ1/2		120			deg.	IF =20mA
Reverse Current	IR	---	---	10	μA	VR=5V	

Notes:

- 1) Tolerance of measurement of luminous Flux is  $\pm 10\%$ .
- 2) Tolerance of measurement of dominant wavelength is  $\pm 1\text{nm}$ .
- 3) Tolerance of measurement of VF is  $\pm 0.05\text{ V}$ .

● Typical electrical/optical characteristic curves



● Reliability Test Items and Conditions

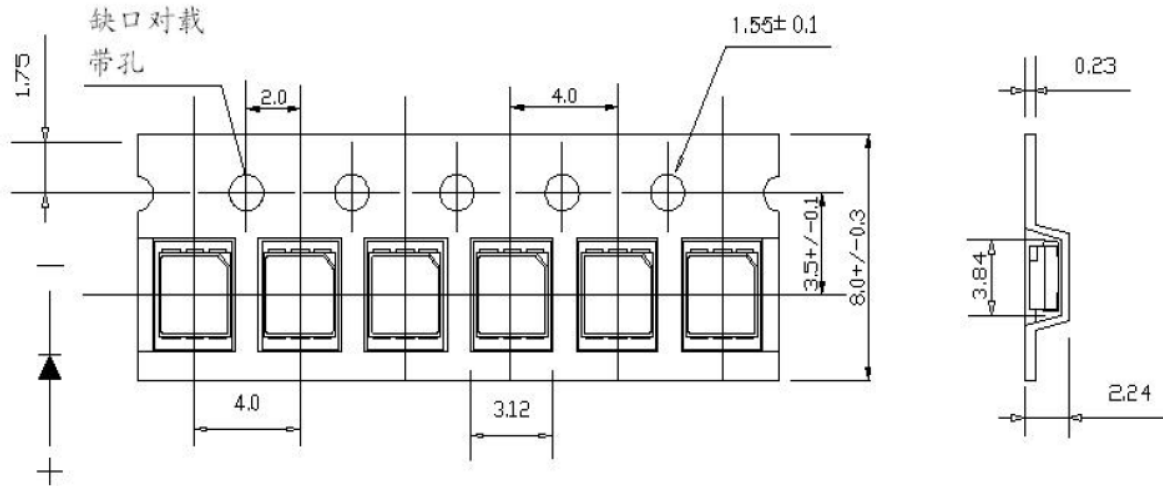
The reliability of products shall be satisfied with items listed below.

Confidence level: 90%

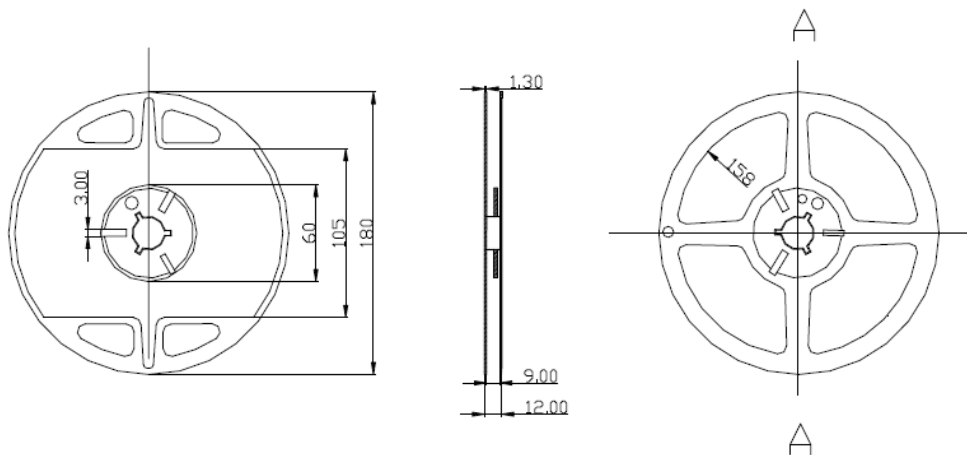
LTPD: 10%

No.	Items	Test Condition	Test Hours/ Cycles	Sample Size	Ac/Re
1	Reflow Soldering	Temp. : 260°C±5°C Min. 5sec.	6 Min.	22 PCS	0/1
2	Temperature Cycle	H : +85°C 15min ∫ 5 min L : -40°C 15min	300 Cycles	22PCS	0/1
3	Thermal Shock	H : +85°C 5min ∫ 10 sec L : -10°C 5min	300PCS	22PCS	0/1
4	High Temperature Storage	Temp. : 100°C	1000Hrs	22PCS	0/1
5	Low Temperature Storage	Temp. : -40°C	1000Hrs	22PCS	0/1
6	Dc Life	IF = 20 mA	1000Hrs	22PCS	0/1
7	High Temperature / High Humidity	85°C/ 85%RH	1000Hrs	22PCS	0/1

● Packaging

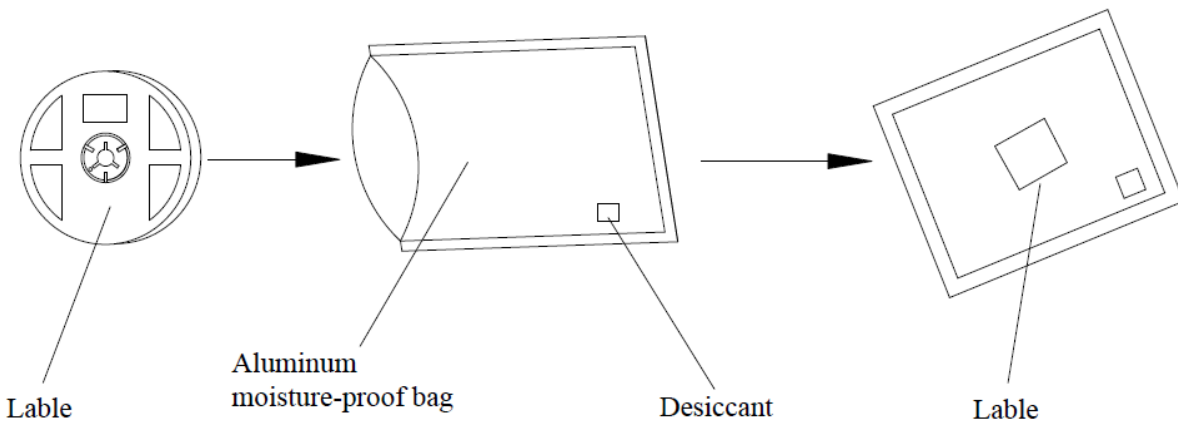


Note: Tolerance unless mentioned is  $\pm 0.1\text{mm}$ ; Unit = mm

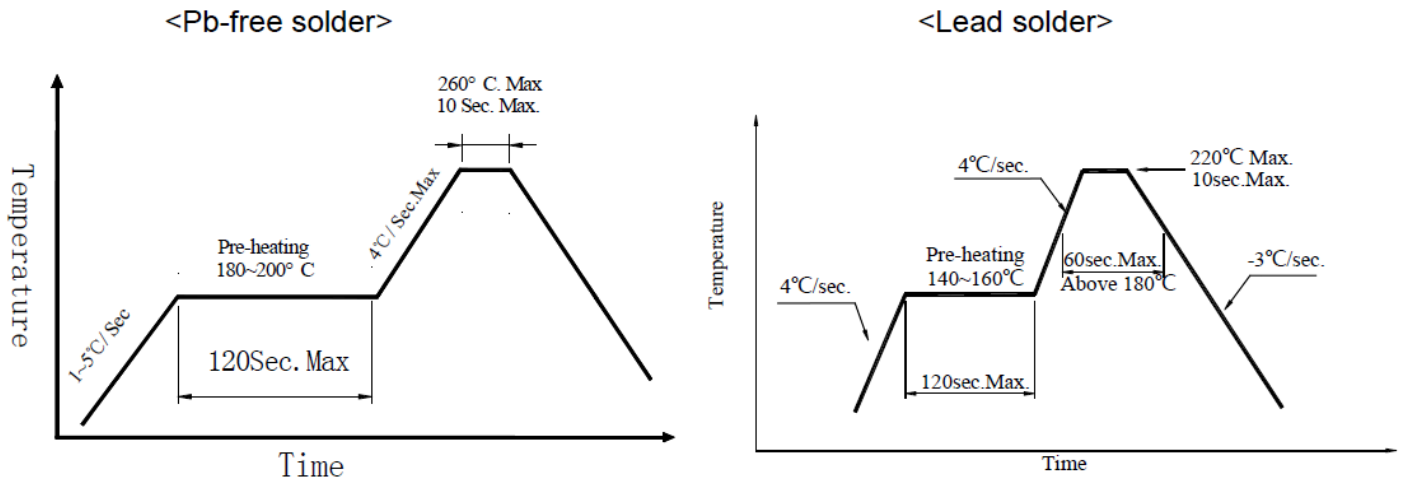


Carrier Tape Dimensions: Loaded Quantity 2000 pcs Per Reel.

● Moisture Resistant Packaging



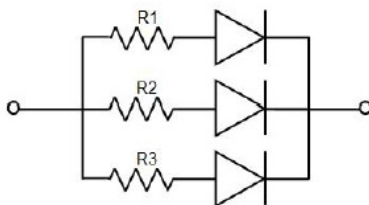
● Precautions for Use



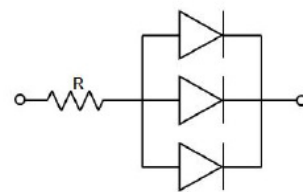
- 1.Reflow soldering should not be done more than two times
- 2.When soldering,do not put stress on the LEDs during heating

● Application

1. A LED is a current-operated device. The slight shift of voltage will cause big change of current, which will damage LEDs. Customer should use resistors in series for the Over-Current-Proof.
2. In order to ensure intensity uniformity on multiple LEDs connected in parallel in an application, it is recommended to use individual resistor separately, as shown in Circuit A below. The brightness of each LED shown in Circuit B might appear difference due to the differences in the I-V characteristics of those LEDs.



Circuit model A



Circuit model B

3. High temperature may reduce LEDs' intensity and other performances, so keeping it away from heat source to get good performance is necessary.

● Storage

- 1.Before opening original package, it is recommended to store them in the following environment:  
 Temperature: 5°C~30°C      Humidity: 85%RH max.



2. After opening original package, the storage ambient for the LEDs should be in 5~30° C temperature and 60% or less relative humidity.

3. In order to avoid moisture absorption, it is recommended that the LEDs that out of the original package should be stored in a sealed container with appropriate desiccant, or in desiccators with nitrogen ambient.

4. The LEDs should be used within 24hrs (1 day) after opening the package. Once been mounted, soldering should be quick.

5. If the moisture absorbent material (silica gel) has faded away or the LEDs stored out of original package for more than 168hrs (7 days), baking treatment should be performed using the conditions: 60°C at least 24 hours.

### ● ESD (Electrostatic Discharge )-Protection

A LED (especially the Blue、White and Green product) is an ESD sensitive component, and static electricity or power surge will damage the LED. ESD-damaged LEDs will exhibit abnormal characteristics such as high reverse leakage current, low forward voltage, or “no light-up” at low currents, etc.

Some advice as below should be noticed:

1. A conductive wrist strap or anti-electrostatic glove should be worn when handling these LEDs.
2. All devices, equipment, machinery, work tables and storage racks, etc. must be properly grounded.
3. Use anti-static package or boxes to carry and storage LEDs. And ordinary plastic package or boxes is forbidden to use.
4. Use ionizer to neutralize the static charge during handling or operating.
5. All surfaces and objects within 1 ft close to LEDs measure less than 100V.

### ● Cleaning

Use alcohol-based cleaning solvents such as IPA (isopropyl alcohol) to clean LEDs if necessary.

- Soldering

1. Soldering condition refer to the draft “Soldering Profile Suggested” on page 4.
2. Reflow soldering should not be done more than 2 times.
3. Manual soldering is only suggested on repair and rework. The maximum soldering temperature should not exceed 300° C within 3 sec. And the maximum capacity of soldering iron is 30W in power.
4. During the soldering process, do not touch the lens at high temperature.
5. After soldering, any mechanical force on the lens or any excessive vibration shall not be accepted to apply, also the circuit board shall not be bent as well.

- Others

1. The LEDs described here are intended to be used for ordinary electronic equipment (such as office equipment, communication equipment and household applications). Consult Gtlight’ s Sales in advance for the applications in which exceptional reliability is required, particularly when the failure or malfunction of the LEDs may directly jeopardize life or health. (such as in aviation, transportation, traffic control equipment, medical and life support systems and safety devices).
2. The light output from the high luminous intensity LEDs may cause injury to human eyes when viewed directly.
3. The appearance and specifications of the product may be modified for improvement without prior notice.